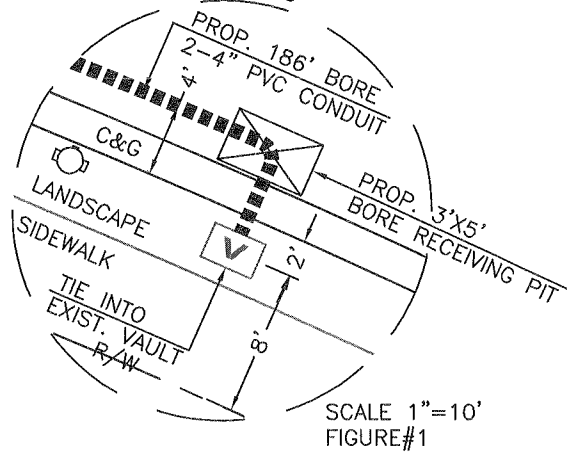
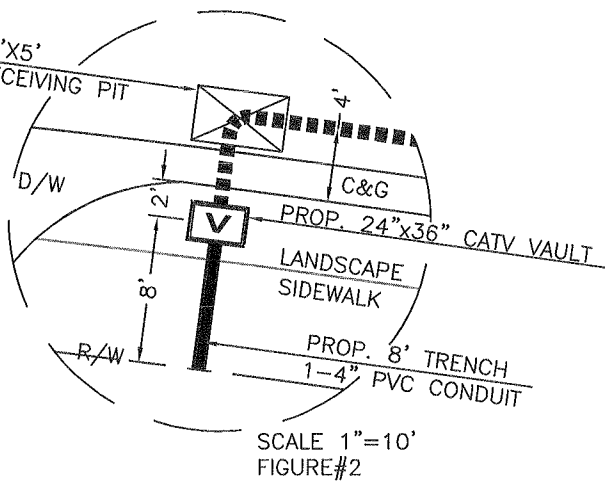
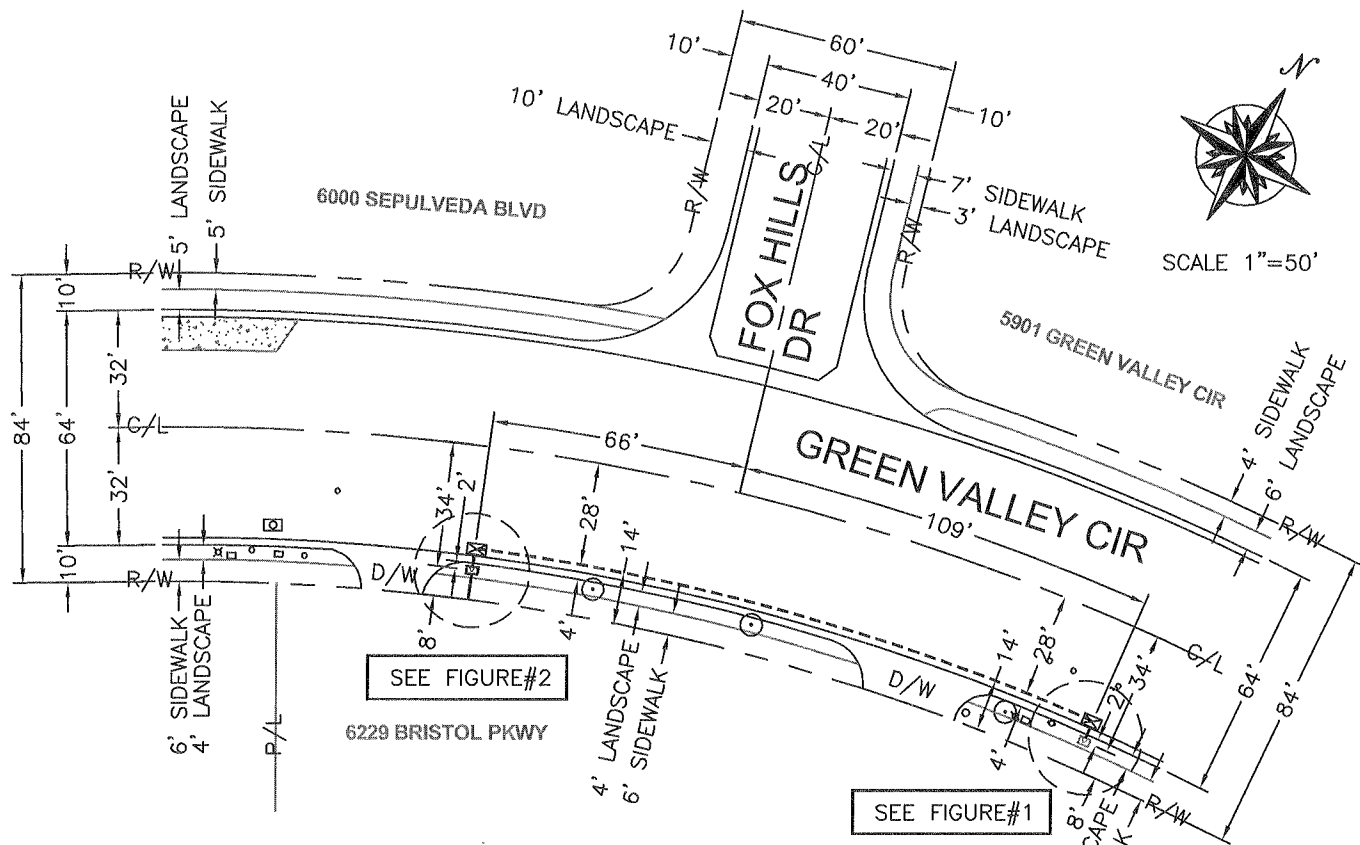


# EXHIBIT A



### BILL OF MATERIALS

NO.	MATERIAL	QTY	FOOTAGE
1	EX. 24"x36" CATV VAULT	1	
2	PROP. 24"x36" CATV VAULT	1	
3	TRENCH 1-4" PVC CONDUIT		8'
4	BORE 2-4" PVC CONDUIT		186'
5	3'X5' BORE RECEIVING PIT	2	

### LEGEND

- PROPOSED TRENCH
- PROPOSED BORE
- EXISTING CATV VAULT
- PROP. CATV VAULT
- BORE RECEIVING PIT



8357 ARIZONA CIRCLE  
LOS ANGELES, CA 90045



1250 CORONA POINTE SUITE 308 CORONA CA 92879  
OFFICE: 951.273.1814 FAX: 951.273.1818

### ADDRESS/PROJECT:

6251 BRISTOL PKWY  
CULVER CITY, CA 90230

SYSTEM EXHIBIT

SHEET 1 OF 1